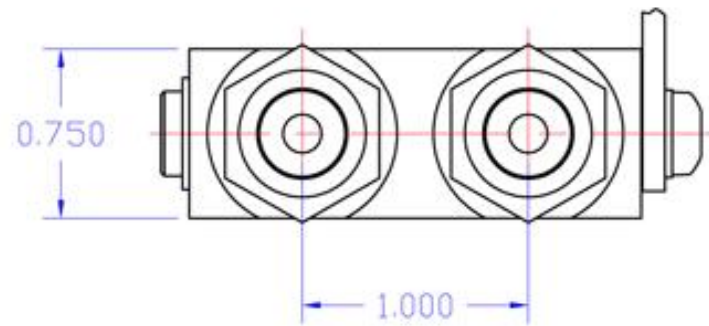
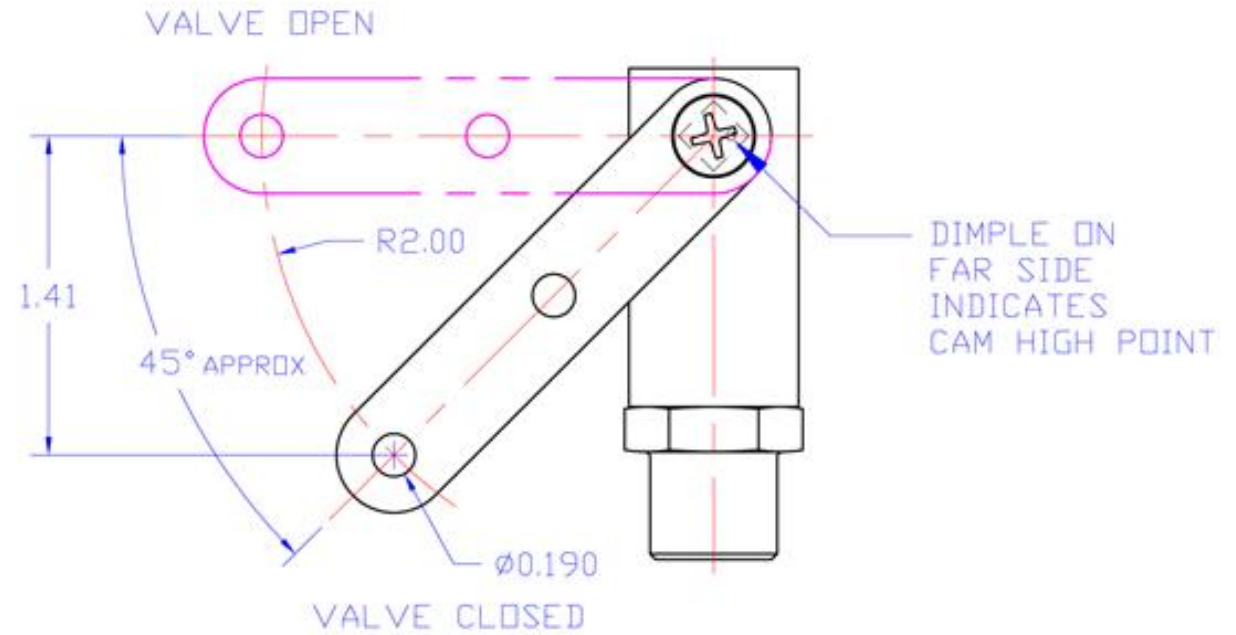
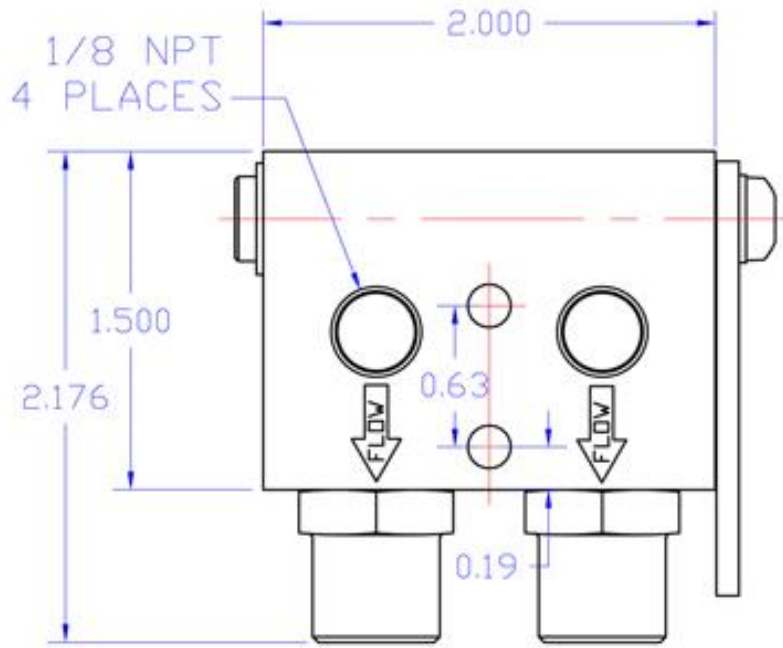


REVISIONS

ECO NO.	CHG LTR	CHANGES	BY	DATE



NOTES

1. FOR USE WITH MIL-H-5606 HYDRAULIC FLUID
2. MAX OPERATING PRESSURE IS 1200 PSI.
3. ALL PORTS ARE 1/8 NPT
4. WEIGHT .32 LBS

Grove

Aircraft Landing Gear Systems inc.
1800 JOE CROSSON DRIVE, ELCAJON, CA 92020

PARKING BRAKE VALVE

TOLERANCE DECIMAL 0.XX= +/- .030 DECIMAL 0.XXX= +/- .010 DECIMAL 0.XXXX= +/- .005 ANGLE = 0.25 DEGREES	DRAWN BY	DWG NO.	REV
	R. P. Grove	068-001	IR
DATE	SCALE	SHEET	
8/22/07	None	10F1	